

Premier Estimating Services

Cell; 209-614-6485

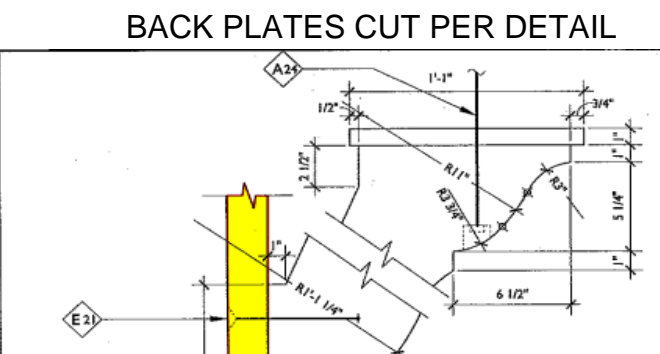
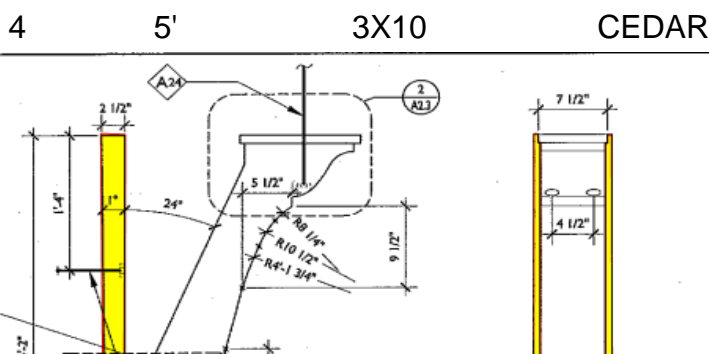
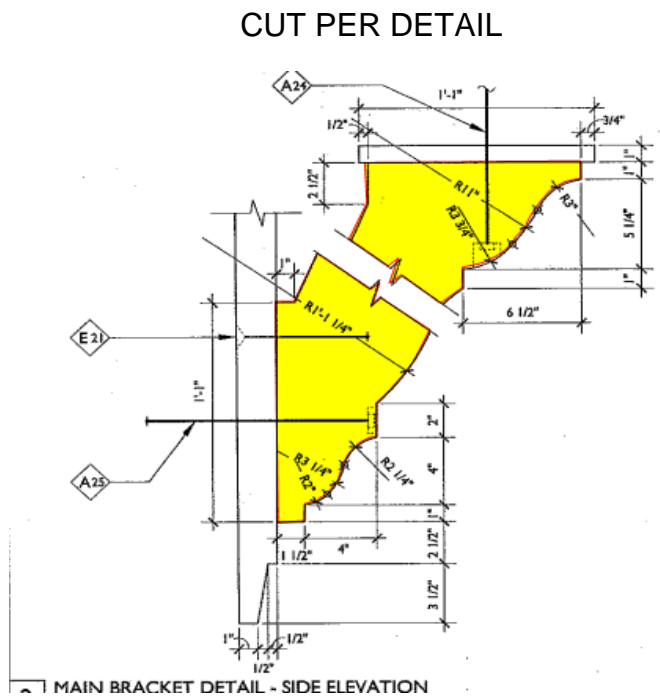
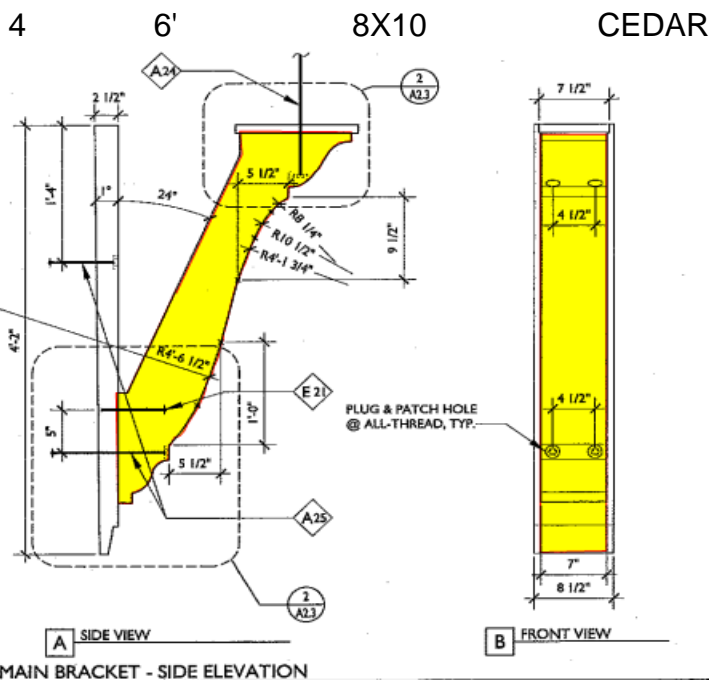
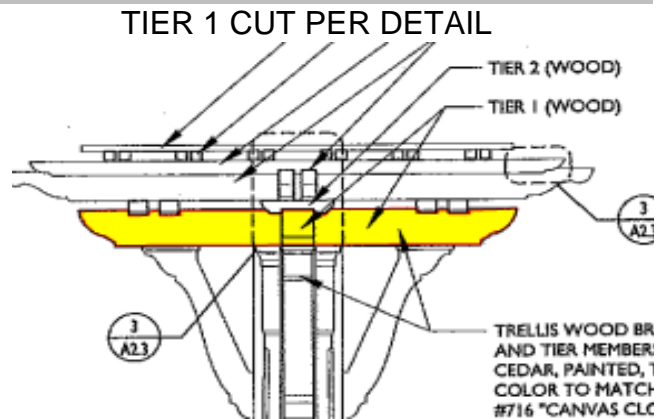
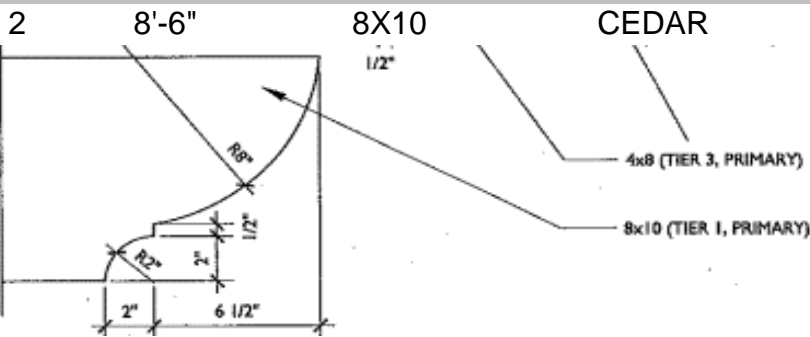
Email; premierestimating.com

Customer; Denair Lumber
Project; City of Livermore-Trellis
Address;
Sqft; N/A

PCS	FOOTAGE	SIZE	GRADE	DESCRIPTION
-----	---------	------	-------	-------------

NOTE; LISTS DO NOT INCLUDE STEEL POSTS OR PRECAST COLUMNS

SINGLE POST TRELLIS

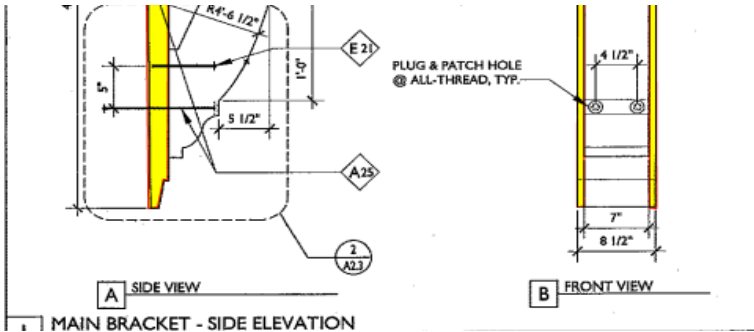


Premier Estimating Services

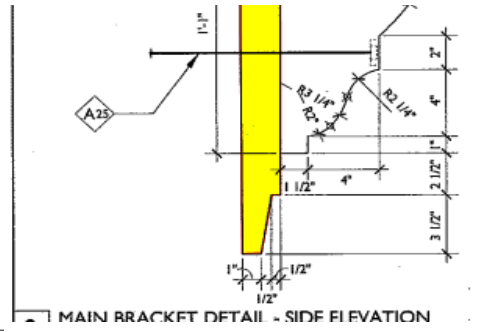
Cell; 209-614-6485

Email; premierestimating.com

PCS FOOTAGE SIZE GRADE

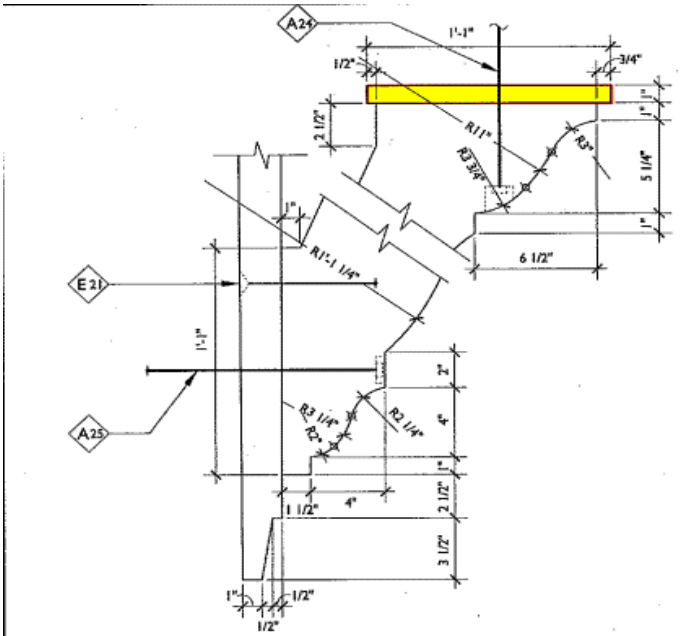
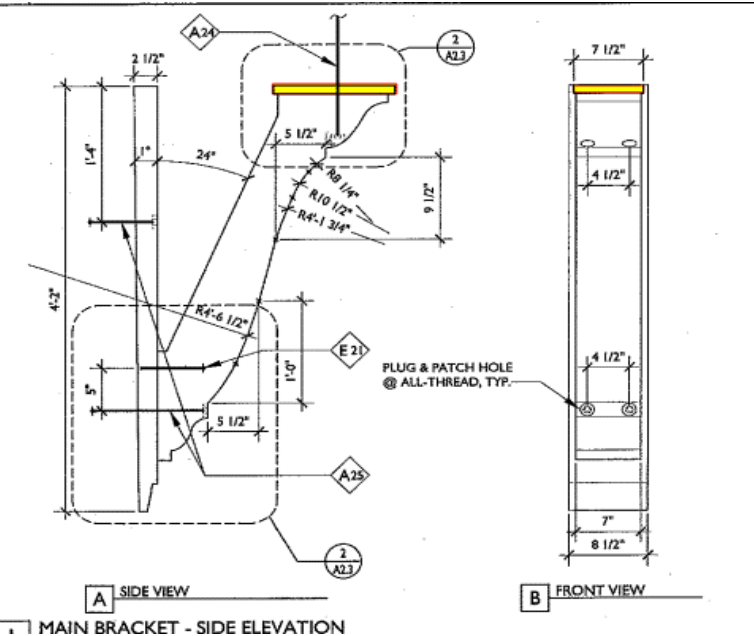


DESCRIPTION



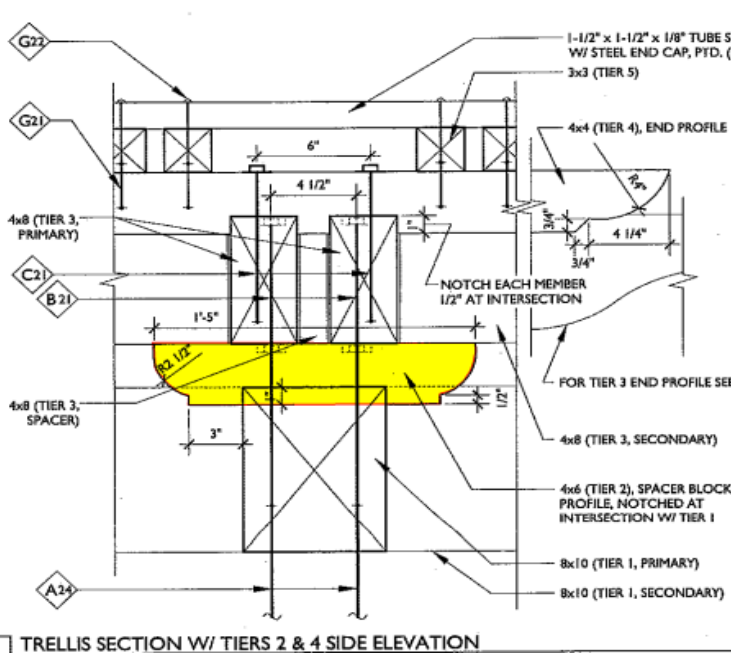
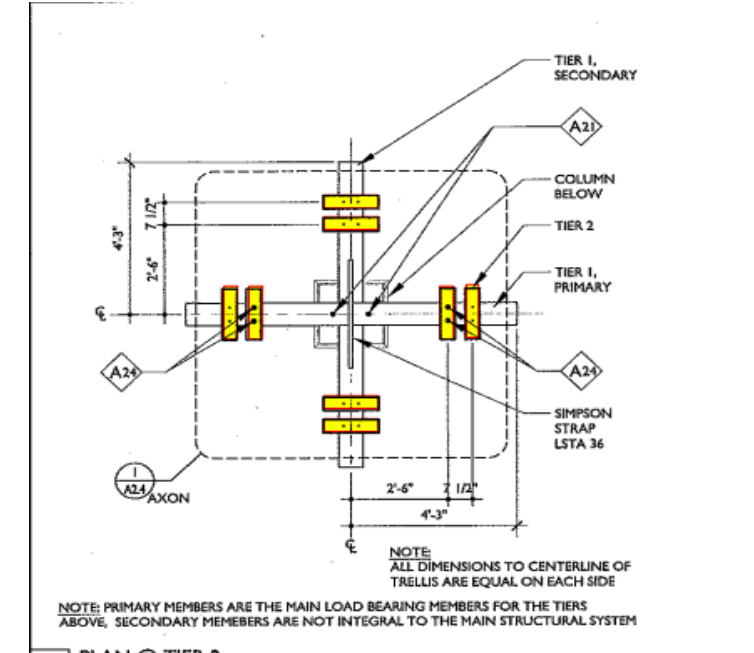
1 5' 2X8 CEDAR

MILLED TO 1" PER DETAIL



8 1'-5" 4X6 CEDAR

SPACER BLOCKS CUT PER DETAIL



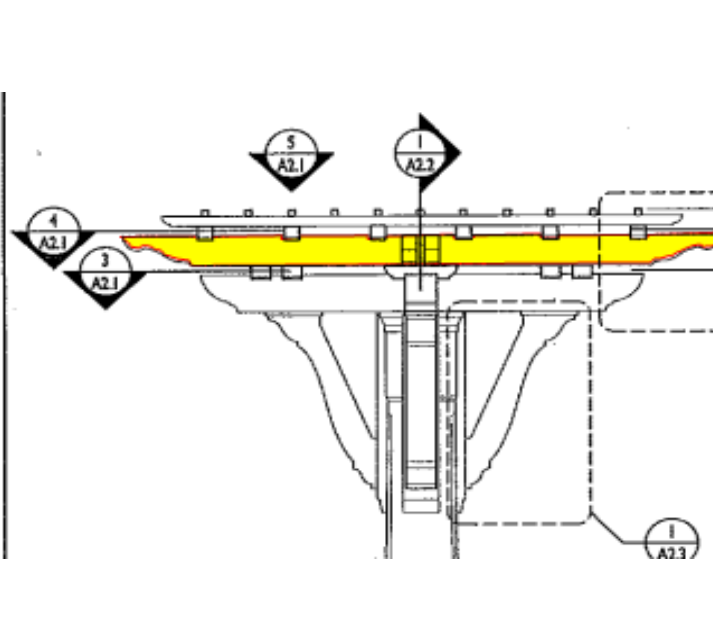
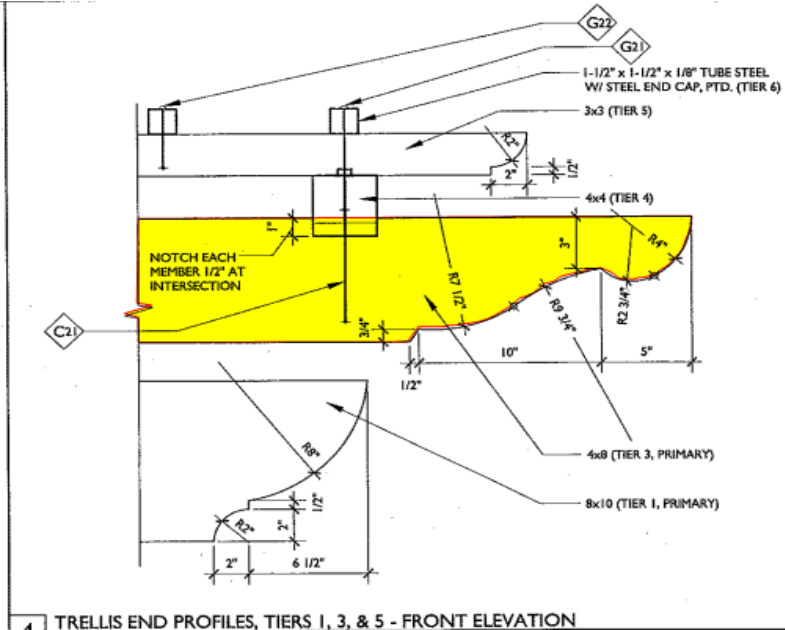
Premier Estimating Services

Cell; 209-614-6485

Email; premierestimating.com

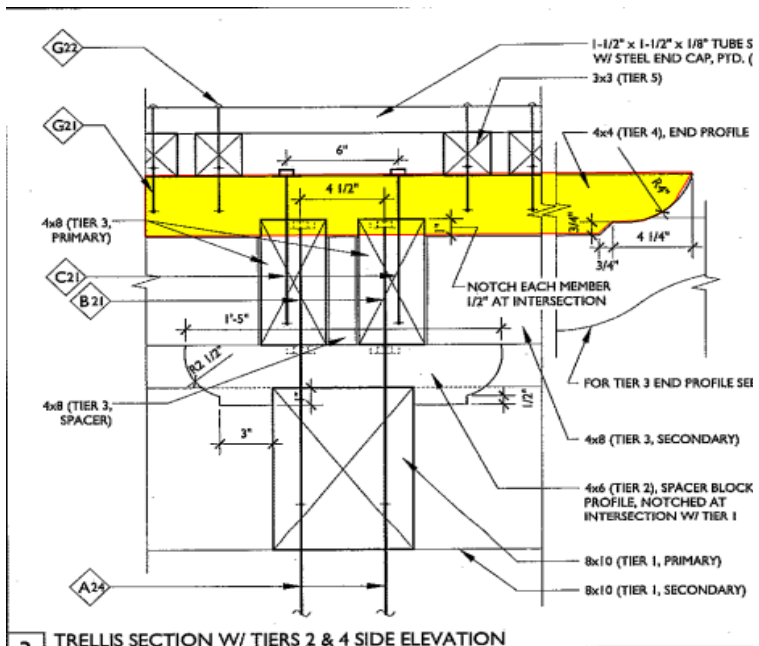
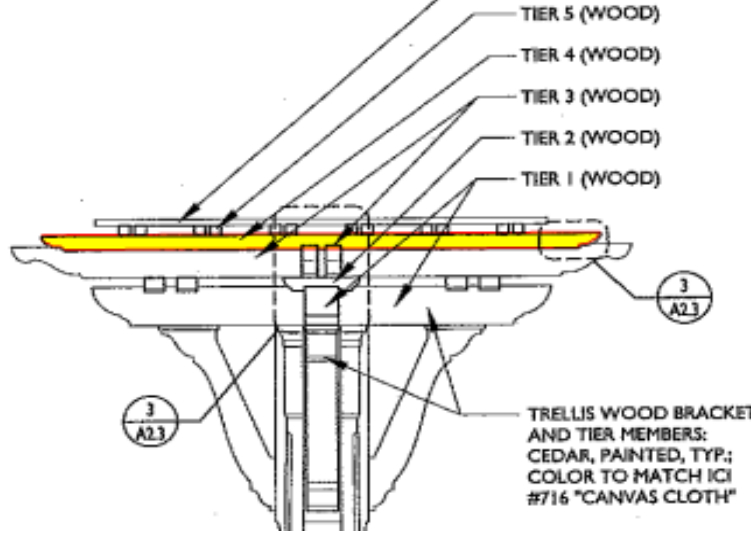
PCS **FOOTAGE** **SIZE** **GRADE**
4 11'-6" 4X8 CEDAR

DESCRIPTION
TIER 3 CUT PER DETAIL



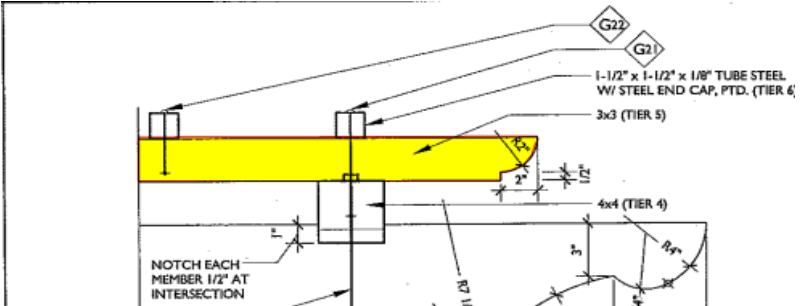
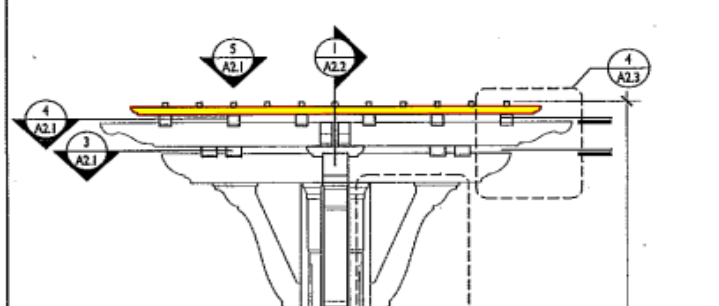
6 10'-4 1/2" 4X4 CEDAR

TIER 4 CUT PER DETAIL



12 10' 3X3 CEDAR

TIER 5 CUT PER DETAIL

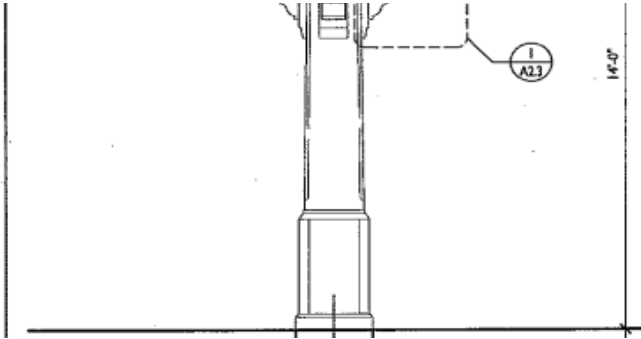


Premier Estimating Services

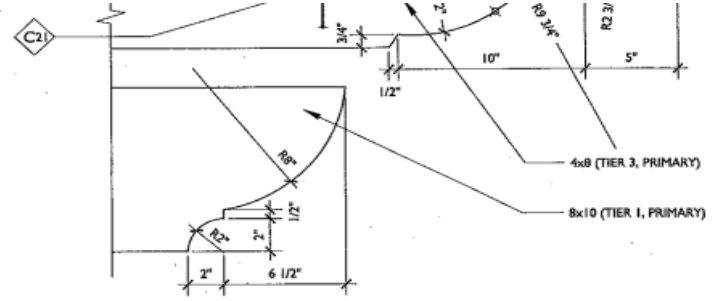
Cell; 209-614-6485

Email; premierestimating.com

PCS FOOTAGE SIZE GRADE



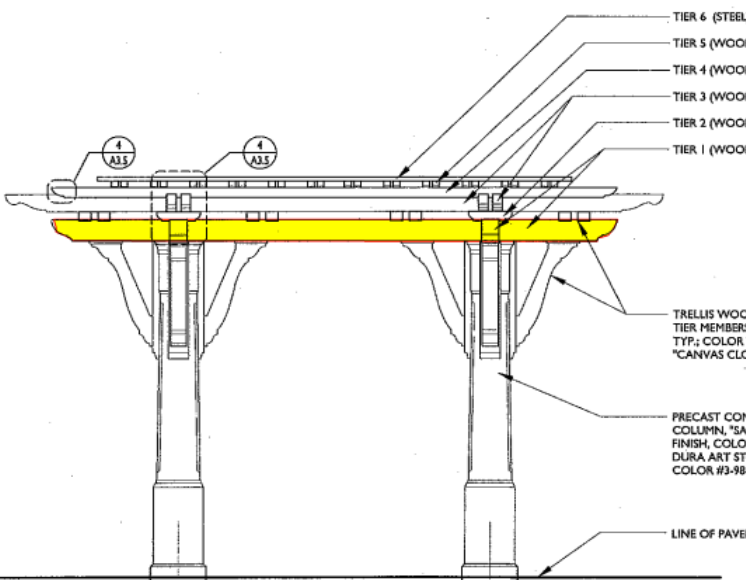
DESCRIPTION



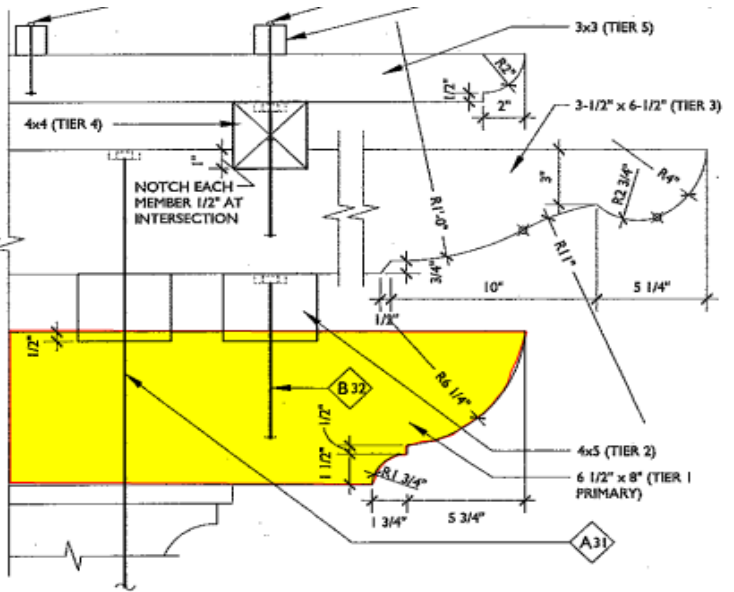
TRELLIS END PROFILES, TIERS 1, 3, & 5 - FRONT ELEVATION

FOUR POST TRELLIS

4 17'-4 1/2" 6 1/2"X8" CEDAR

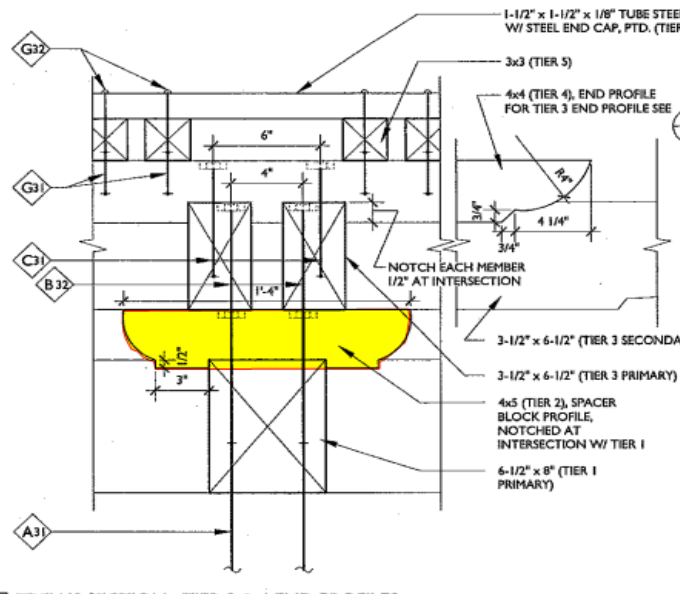
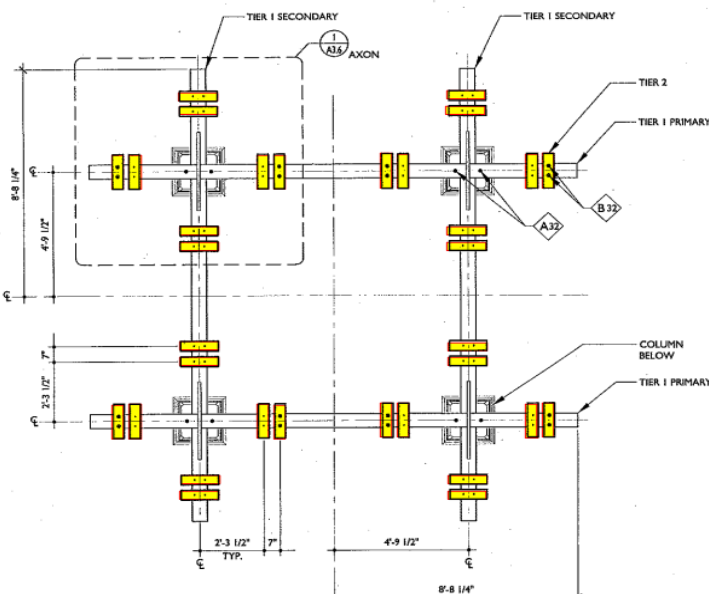


TIER 1 PRIMARY CUT PER DETAIL



32 1'-4" 4X5 CEDAR

TIER 2 SPACER CUT PER DETAIL

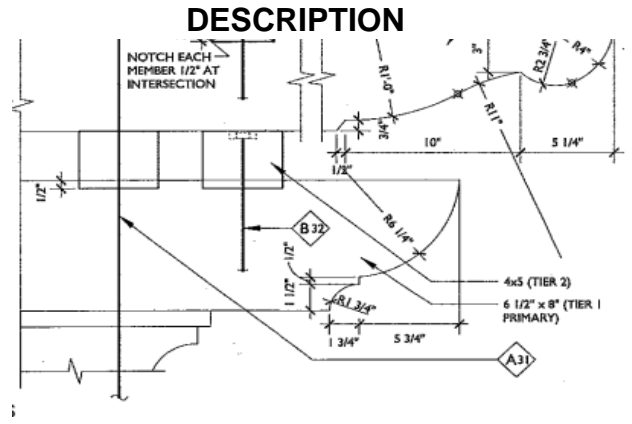
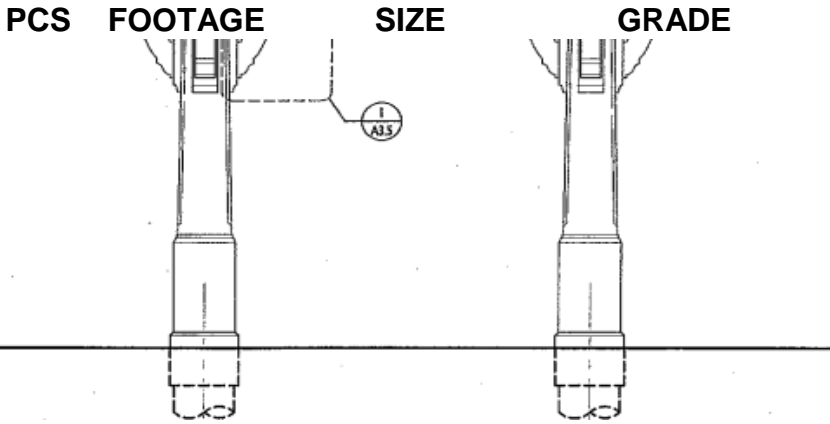


TRELLIS SECTION: TIER 3 & 4 END PROFILES

Premier Estimating Services

Cell; 209-614-6485

Email; premierestimating.com



NOTE; FASTNERS ARE NUMBERED TO A KEY THAT WAS NOT PROVIDED

